

The No-Ha<sup>®</sup>2.0 is a real innovation which is why it was patented. The system integrates door handle and magnetic lock in one box. No-Ha<sup>®</sup>2.0 enables doors to be opened and shut without a visible door handle.

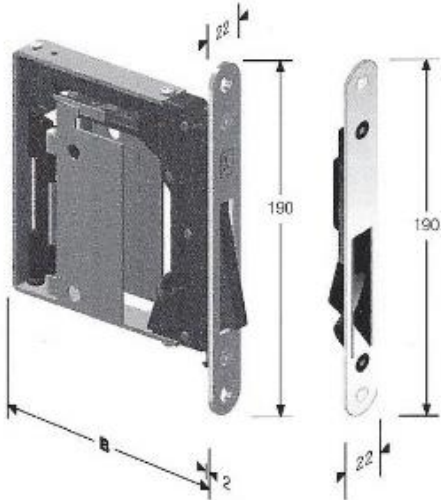
The handle can be completely hidden by giving the catch the same finish as the door and walls.

No-Ha<sup>®</sup>2.0 is part of the No-Ha collection, which includes the No-Ha Slide for sliding doors, No-Ha for drawers, cupboards and other accessories such as plates, wc handles (possible with No-Ha Nm 937)

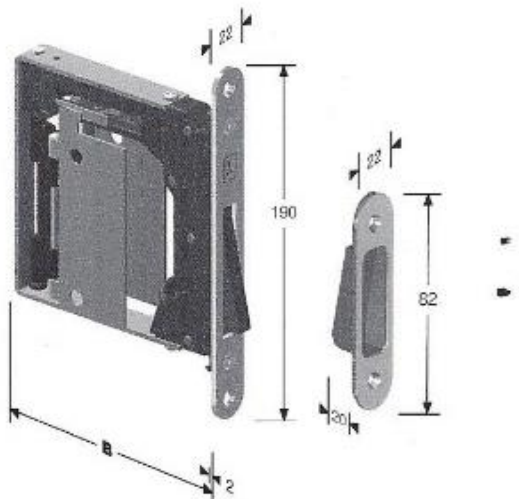
[www.no-ha.com](http://www.no-ha.com)



**Nm 938/S0/..**

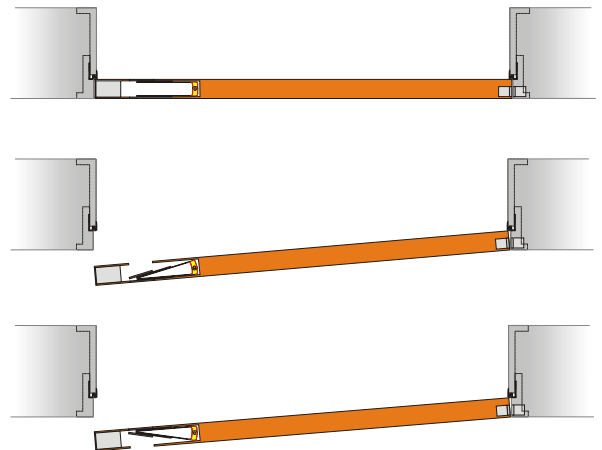


**Nm 938/S5/..**



**No-Ha 2.0 mini /S0/..**

|                         |              |
|-------------------------|--------------|
| Standard - Satin Chrome | Nm 938/S0/SC |
| Polished Chrome         | Nm 938/S0/PC |
| Polished Brass          | Nm 938/S0/PB |



**No-Ha 2.0 mini /S5/..**

|                         |              |
|-------------------------|--------------|
| Standard - Satin Chrome | Nm 938/S5/SC |
| Polished Chrome         | Nm 938/S5/PC |
| Polished Brass          | Nm 938/S5/PB |