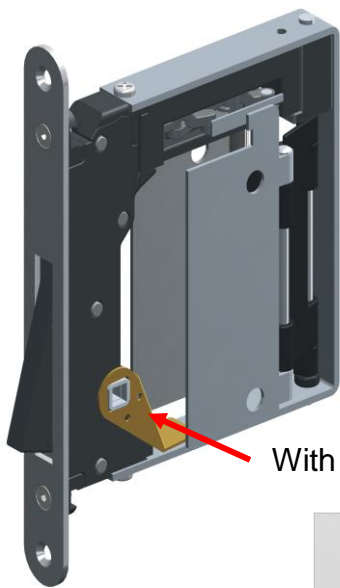


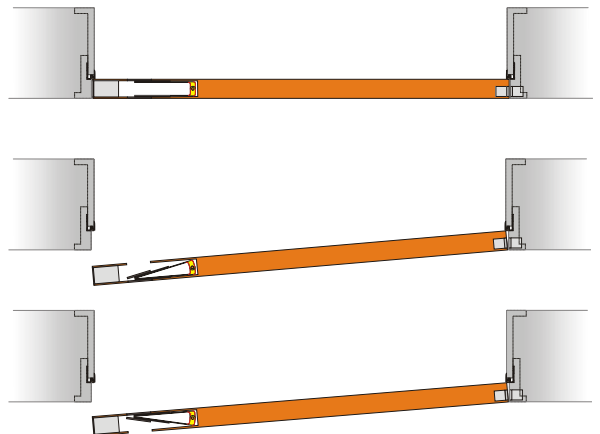
The No-Ha[®]2.0 is a real innovation which is why it was patented. The system integrates door handle and magnetic lock in one box. No-Ha[®]2.0 enables doors to be opened and shut without a visible door handle. Can be locked from one side; The handle can be completely hidden by giving the catch the same finish as the door and walls.

No-Ha[®]2.0 is part of the No-Ha collection, which includes the No-Ha Slide for sliding doors, No-Ha for drawers, cupboards and other accessories such as plates, wc handles
www.no-ha.com



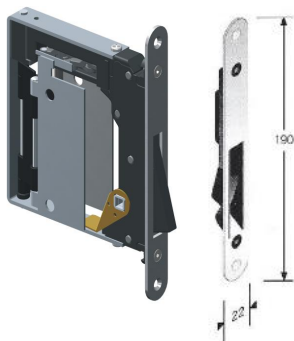
Nm 937

With toilet lock 6x6mm



Nm 937/S0/..

Nm 937/S5/..



No-Ha 2.0 L mini

Standard - Satin Chrome
 Polished Chrome
 Polished Brass

/S?/..

Nm 937/S?/SC
 Nm 937/S?/PC
 Nm 937/S?/PB

