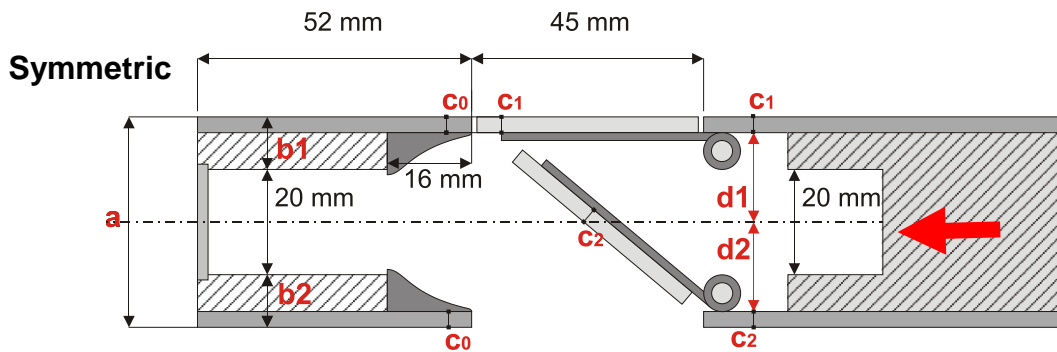


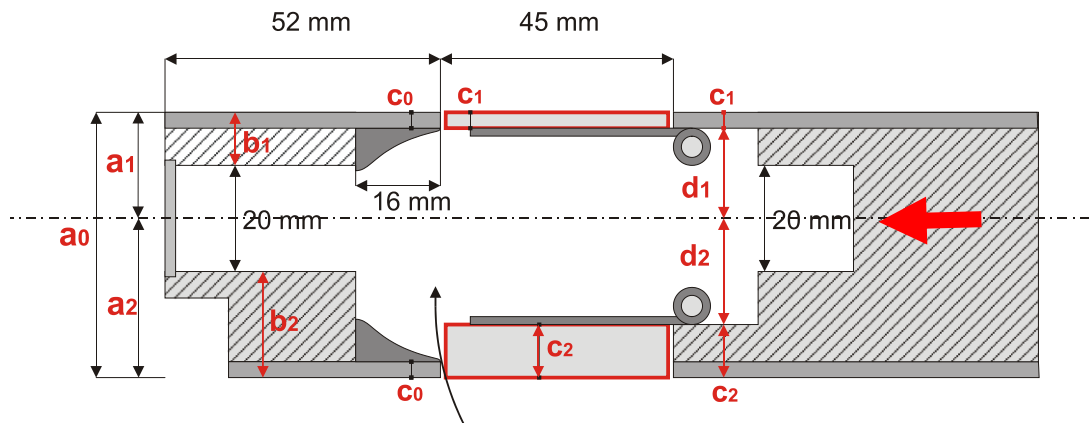
No-Ha 2.0 mini

Deurdikte – Epaisseur de la porte – Door thickness – Türstärke
36 mm – 50 mm



a	b1=b2 =1/2(a-20)	C0	C1	C2	d1+d2 d1=d2= a/2-c1
36 mm	8 mm	3 mm	3 mm	3 mm	30 mm
38 mm	9 mm	3 mm	3 mm	3 mm	32 mm
40 mm	10 mm	3 mm	3 mm	3 mm	34 mm
42 mm	11 mm	3 mm	3 mm	3 mm	36 mm
44 mm	12 mm	3 mm	3 mm	3 mm	38 mm
46 mm	13 mm	3 mm	3 mm	3 mm	40 mm
48 mm	14 mm	3 mm	4 mm	4 mm	40 mm
50 mm	15 mm	3 mm	5 mm	5 mm	40 mm
52 mm +	Please contact : info@no-ha.com				

Asymmetric



a0	b1≠b2 b1+b2=(a-20)	C0	c1≠c2	d1≠d2 d1+d2=a-(c1+c2)
var	var	3 mm	var	d1 & d2 = min 15 mm = max 20 mm

Most important by asymmetric installation:

- d1 = min. 15mm & max. 20mm
- d2 = min. 15mm & max. 20mm
 - d1 is **not** equal to d2
 - c1 is **not** equal to c2
- c0 must be 3mm to have enough space to insert the fingers