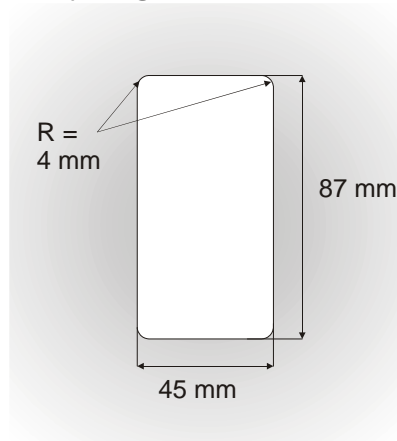


COVERPLATE Standard size for the following products	
Nm 937	No-Ha 2.0 mini: lock with WC closure
Nm 938	No-Ha 2.0 mini: lock
NS 200	No-Ha 2.0 Slide: Handle for sliding doors D=40 mm (thickness)
NS 205	No-Ha 2.0 Slide: Handle for sliding doors D=45 mm (thickness)
NS 210	No-Ha 2.0 Slide: Handle for sliding doors D=50 mm (thickness)
NS 105	No-Ha 2.0 Slide: Handle for sliding doors <u>one side</u>
NK 250	No-Ha 2.0 Single: Handle for cupboards and drawers.

Coverplate codes	
P01	MDF Plate with primer finish
P02	INOX Plate in brushed stainless steel

Dimintions :

Opening in the door



Coverplate

